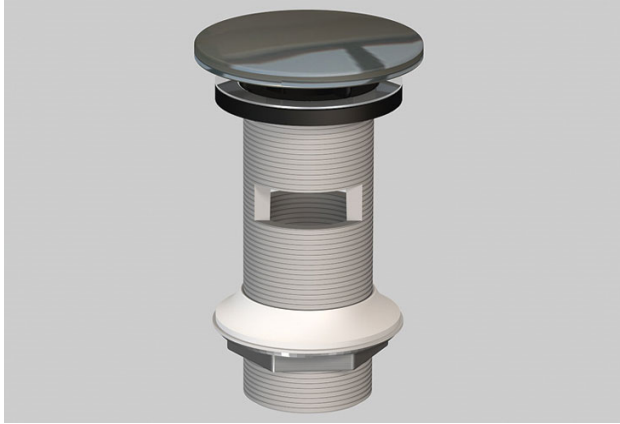


A³form

Technical data sheet



Accessoires

VT.5

Article number: 8320000978

Design partner: Alape

Features

Description

Article number

Material

Colour

Dimensions

Net weight

Accessoires

Tap fitting information

Tap fittings with a vertical outlet and aerator provide the optimum flow of water onto the surface below (angle of impact: 90°).

VT.5

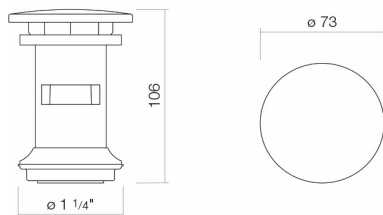
8320000978

Brass / plastics

chrome-plated

W/H/D 74/106/74 mm

0,15 kg



Text for invitation to tender

Drain valve, round, w/h/d 74/106/74mm, chrome-plated, Ø 1 1/4", with open/closed function, this basin requires an overflow, includes valve cap, chrome-plated

Brand: Alape

Model: VT.5
