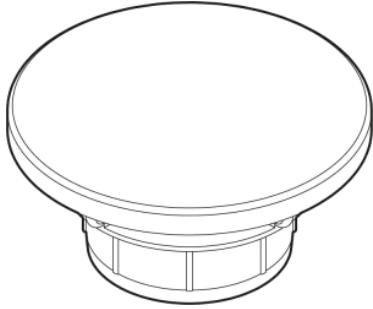


Technical factsheet



Valve cap

Spare part

Item Number:

9510950590

Characteristics

Item Number	9510950590
Dimensions	w/h/d 63 mm/32 mm/63 mm
Form	round
Net weight	0,06 kg

Optimal impact on the basin mould with fittings that have a vertical outlet (90 ° angle of impact) and a built-in aerator.

Flow rate chart

Product/tender specifications

Valve cap

Spare part

Item Number:

9510950590

Text

Valve cap, round, w/h/d 63/32/63 mm, brass, chrome-plated, with base body

