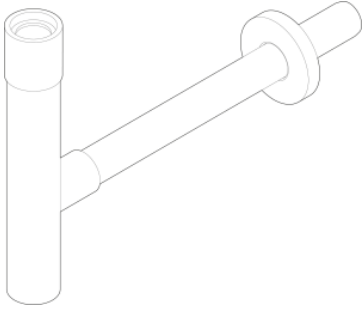


## Technical factsheet

---



### Bottle trap

### Spare part

Item Number:

9510430307

## Characteristics

---

Item Number	9510430307
Dimensions	w/h/d 45 mm/296 mm/370 mm
Net weight	0,97 kg
Note	1 1/4" connection thread

Optimal impact on the basin mould with fittings that have a vertical outlet (90 ° angle of impact) and a built-in aerator.

## Flow rate chart

---

## Product/tender specifications

---

### Bottle trap

### Spare part

Item Number:

9510430307

### Text

Bottle trap, w/h/d 45/296/370 mm, chrome-plated, 1 1/4" connection thread

