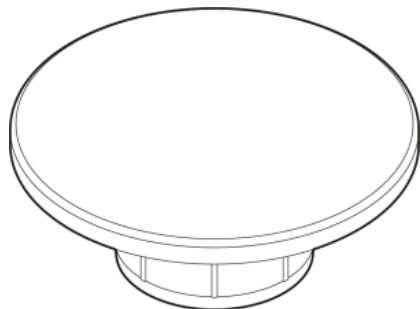


Technical factsheet



Valve cap

Spare part

Item Number:

9510010180

Characteristics

Item Number	9510010180
Dimensions	w/h/d 74 mm/31 mm/74 mm
Form	round
Net weight	0,09 kg
Note	suitable for basins without overflow with Alape 11/4" drain valve

Optimal impact on the basin mould with fittings that have a vertical outlet (90 ° angle of impact) and a built-in aerator.

Flow rate chart

Product/tender specifications

Valve cap

Spare part

Item Number:

9510010180

Text

Valve cap, round, w/h/d 74/31/74 mm, bicolor, glazed, suitable for basins without overflow with Alape 1 1/4" drain valve, with base body
