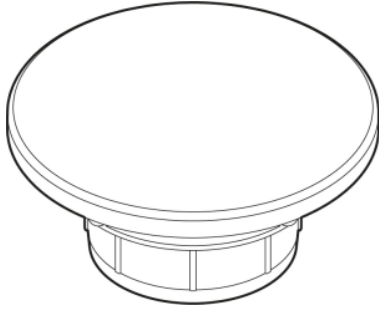


## Technical factsheet

---



**Valve cap**

**Spare part**

Item Number:

9510009240

## Characteristics

---

Item Number

9510009240

Dimensions

w/h/d 63 mm/31 mm/63 mm

Form

round

Net weight

0,07 kg

Note

suitable for basins without overflow with Alape 11/4" drain valve

Optimal impact on the basin mould with fittings that have a vertical outlet (90 ° angle of impact) and a built-in aerator.

## Flow rate chart

---

## Product/tender specifications

---

### Valve cap

### Spare part

Item Number:

9510009240

### Text

Valve cap, round, w/h/d 63/31/63 mm, matt black, glazed, suitable for basins without overflow with Alape 1 1/4" drain valve, with base body

---