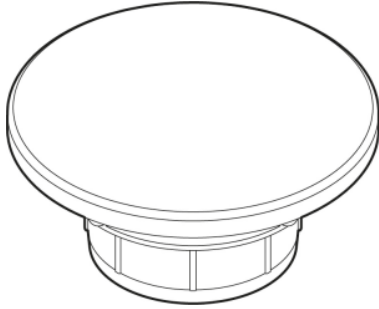


Technical factsheet



Valve cap

Spare part

Item Number:

9510009004

Characteristics

Item Number

9510009004

Dimensions

w/h/d 63 mm/31 mm/63 mm

Form

round

Net weight

0,07 kg

Note

suitable for basins without overflow with Alape 11/4" drain valve

Optimal impact on the basin mould with fittings that have a vertical outlet (90 ° angle of impact) and a built-in aerator.

Flow rate chart

Product/tender specifications

Valve cap

Spare part

Item Number:

9510009004

Text

Valve cap, round, w/h/d 63/31/63 mm, matt white, glazed, suitable for basins without overflow with Alape 1 1/4" drain valve, with base body
