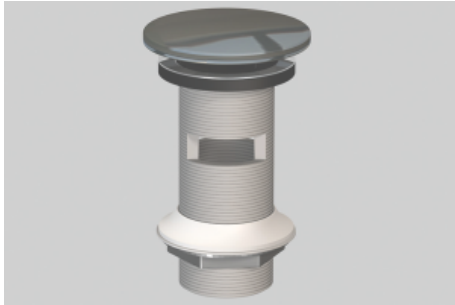


## Technical factsheet

---



**Drain valve**

**VT.5**

**Series neutral**

Item Number:

8320000978

## Characteristics

---

Model description

VT.5

Item Number

8320000978

Dimensions

w/h/d 74 mm/106 mm/74 mm

Form

round

Net weight

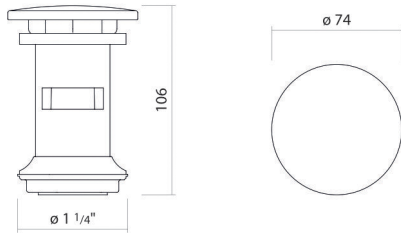
0,2 kg

Note

Ø 1 1/4"

this basin requires an overflow

Optimal impact on the basin mould with fittings that have a vertical outlet (90 ° angle of impact) and a built-in aerator.



## Flow rate chart

## Product/tender specifications

### Drain valve

VT.5

### Series neutral

Item Number:

8320000978

### Text

Drain valve, round, w/h/d 74/106/74 mm,  $\varnothing 1\ 1/4''$ , this basin requires an overflow, valve cap, chrome-plated

