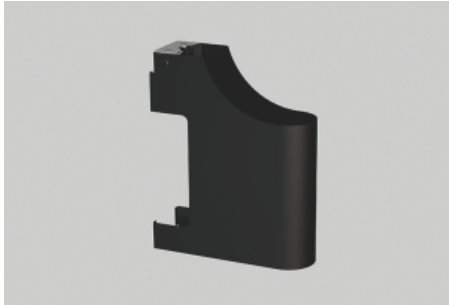


## Technical factsheet

---



### Bottle trap cover for renovation

SV.WF20.1.2R

WF-Serie (Work.Frame)

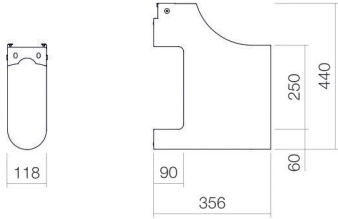
Item Number: 8113999980

## Characteristics

---

Model description	SV.WF20.1.2R
Item Number	8113999980
Dimensions	w/h/d 118 mm/440 mm/356 mm
Net weight	2,25 kg
Note	with side cutouts suitable for: WP.WF20.1, WP.WF20.2

Optimal impact on the basin mould with fittings that have a vertical outlet (90 ° angle of impact) and a built-in aerator.



## Flow rate chart

## Product/tender specifications

**Bottle trap cover for renovation**

**SV.WF20.1.2R**

**WF-Serie (Work.Frame)**

Item Number:

8113999980

### Text

Bottle trap cover for renovation, w/h/d 118/440/356 mm, matt black, Powder coated, with side cutouts, suitable for:  
WP.WF20.1, WP.WF20.2, angle valve distance >80mm possible

---