

Technical factsheet



Washplace for renovation

WP.S19L.1R

S19-series (Steel19)

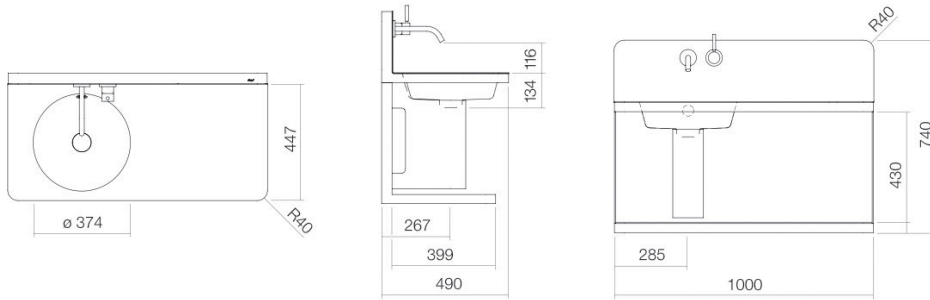
Item Number:

5267000000

Characteristics

Model description	WP.S19L.1R
Item Number	5267000000
Material basin	glazed steel white
Coating	ProShield
Furniture material	steel bracket powder finish black matte
Dimensions	w/h/d 1000 mm/740 mm/490 mm
Form	rectangular
Overflow	with overflow
Basin mould	round left
Net weight	Bowl depth 374 mm 49 kg
Mounting type	wall-hanging
Note	pressure hoses 600mm

Optimal impact on the basin mould with fittings that have a vertical outlet (90 ° angle of impact) and a built-in aerator.



Flow rate chart

Product/tender specifications

Washplace for renovation

WP.S19L.1R

S19-series (Steel19)

Item Number:

5267000000

Text

Washplace for renovation, wall-hanging, rectangular, w/h/d 1000/740/490 mm, sink round, left, w/h/d 374/134/374 mm, glazed steel, white, ProShield, with overflow, bracket, steel bracket, powder finish, black matte, pressure hoses 600mm, included fixing set, valve cap, glazed in the basin colour, Ø 74 mm, bottle trap, bottle trap cover in matt black, glass shelf, wall outlet fitting in splashback, with pre-assembled concealed valve
