

Technical factsheet



Undermount basin

UB.KE325

KE series (Unisono)

Item Number:

3223504401

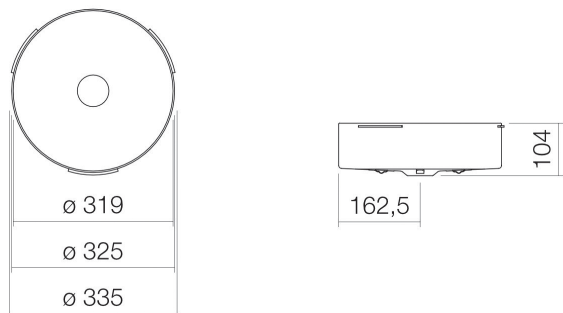
Characteristics

| | |
|-------------------|--|
| Model description | UB.KE325 |
| Item Number | 3223504401 |
| Material basin | glazed steel |
| | white |
| Coating | antibacterial |
| Dimensions | w/h/d 319 mm/104 mm/319 mm |
| Form | round |
| Hole | without tap hole |
| Overflow | without overflow |
| Net weight | 4,1 kg |
| Mounting type | for installation from below |
| Note | optimised for installation directly under the laminate layer of a coated counter top |

Fittings information

Impact area 102 mm - 137 mm
from rear edge of basin

Optimal impact on the basin mould with fittings that have a vertical outlet (90 ° angle of impact) and a built-in aerator.



Flow rate chart

Product/tender specifications

Undermount basin

UB.KE325

KE series (Unisono)

Item Number:

3223504401

Text

Undermount basin, for installation from below, round, Ø 319 mm, height 104 mm, glazed steel, white, antibacterial, without tap hole, without overflow, included fixing set, drain valve, valve cap, chrome-plated, Ø 63 mm, optimised for installation directly under the laminate layer of a coated counter top
