

## Technical factsheet

---



### Undermount basin

UB.KE325

KE series (Unisono)

Item Number:

3223504401

## Characteristics

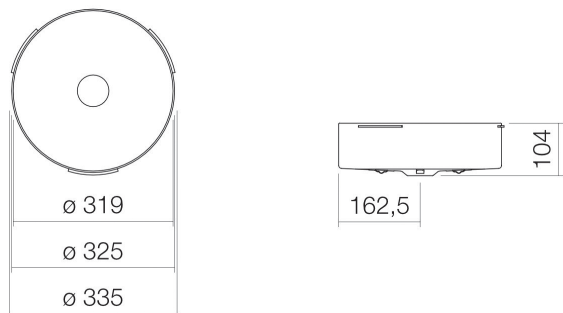
---

Model description	UB.KE325
Item Number	3223504401
Material basin	glazed steel
	white
Coating	antibacterial
Dimensions	w/h/d 319 mm/104 mm/319 mm
Form	round
Hole	without tap hole
Overflow	without overflow
Net weight	4,1 kg
Mounting type	for installation from below
Note	optimised for installation directly under the laminate layer of a coated counter top

### Fittings information

Impact area 102 mm - 137 mm  
from rear edge of basin

Optimal impact on the basin mould with fittings that have a vertical outlet (90 ° angle of impact) and a built-in aerator.



## Flow rate chart

## Product/tender specifications

**Undermount basin**

**UB.KE325**

**KE series (Unisono)**

Item Number:

3223504401

### Text

Undermount basin, for installation from below, round, Ø 319 mm, height 104 mm, glazed steel, white, antibacterial, without tap hole, without overflow, included fixing set, drain valve, valve cap, chrome-plated, Ø 63 mm, optimised for installation directly under the laminate layer of a coated counter top

---